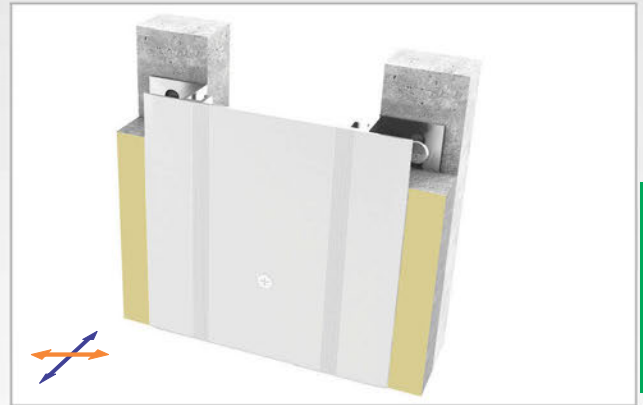
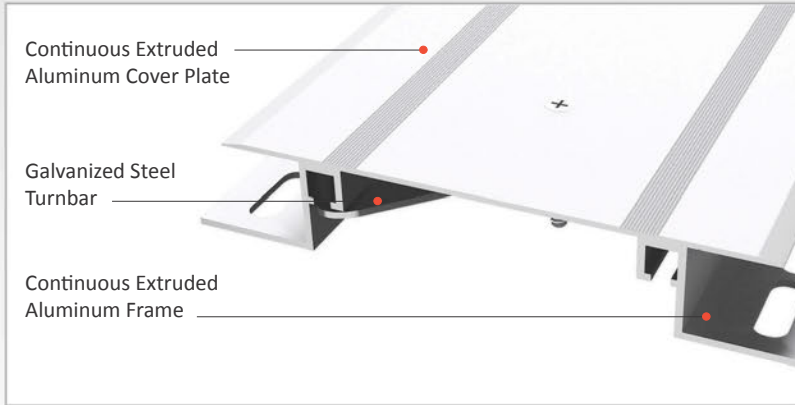


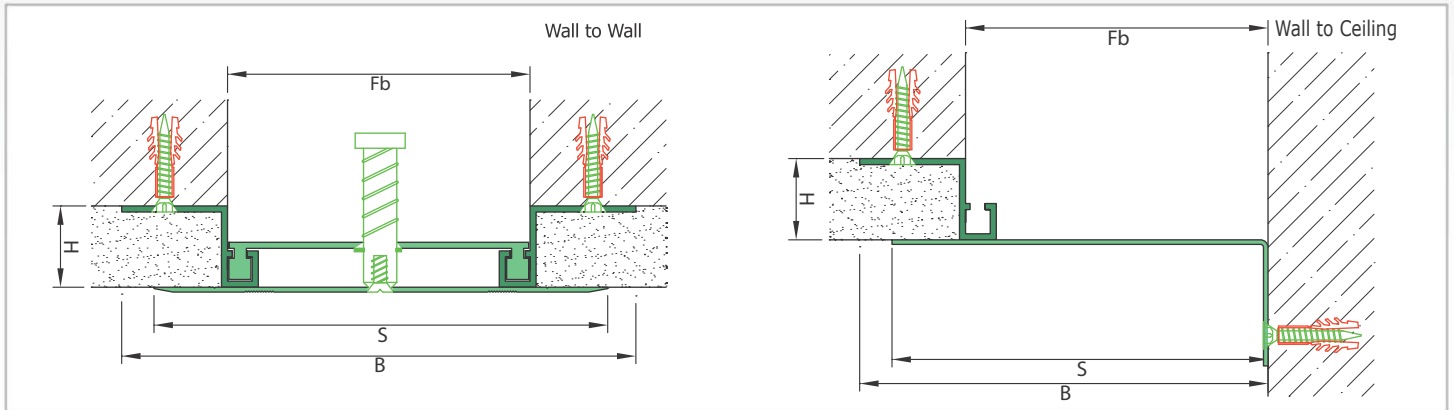


AS A153 flush mounted seismic profile provides horizontal and lateral shear movements at joint widths up to 150 mm. During the seismic activity, pursuant to ground motion, centering bar expands and narrows down the profile with a high movement ability and ensures the cover plate to stay in its original position after the seismic activity. Cover plate can be made of aluminum, galvanized or stainless steel at different thicknesses depending on the finish inquired. It can be applied with floor profile AS A253 as a matching model. AS A153 can also function as a roof cover at flat roof applications.

- Application Areas** : Indoor & Outdoor / Wall & Ceiling
- Ideal for** : Airports, Shopping Malls, Residences, Hospitals, Hotels, Commercial & Public Buildings etc.
- Material** : Anodized Aluminum Cover Plate (Galvanized or Stainless Steel Optional ), Mill Finish Aluminum Frame
- Aluminum Alloy** : 6063 AA-USA / EN AW 6063
- Optional Supplies** : Fire Barrier, Waterproof EPDM membrane



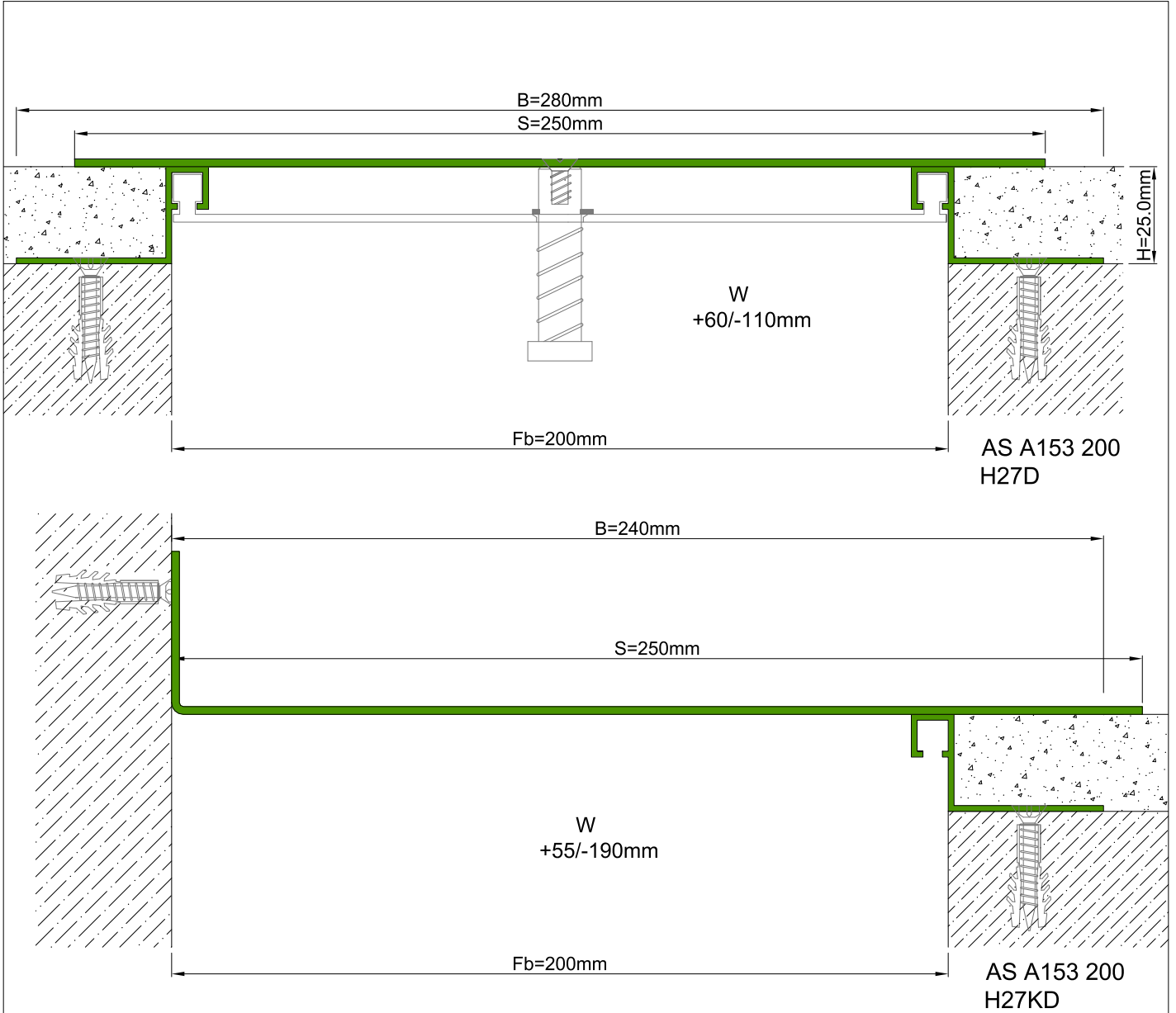
**SEISMIC**



\* Visuals are representative and the profile configuration may differ depending on the characteristics requested.

LOCATION	MODEL	GAP (Fb) mm	HEIGHT (H) MM	OVERALL WIDTH (B) mm	VISIBLE WIDTH (S) mm	MOVEMENT (W) mm	LOAD CAPACITY	STANDARD LENGTH (mt)
Wall to W all	AS A153-100	100	27	180	150	+40/-55	N/A	3
	AS A153-150	150	27	230	200	+60/-80	N/A	3
	AS A153-200	200	27	280	250	+60/-110	N/A	3

Note: Please ask for different sizes



Profil No Profile Number	AS A153 200	AS A153 200K
Fb (mm)	200	200
H (mm) yaklaşık approx.	27	27
W± (mm) yaklaşık approx.	+60/-110	+55/-190
Renk Color	Alüminyum: Natürel Aluminium: Natural	
Malzeme Material	Alüminyum Aluminum	
Standart Uzunluk Standard Length	3	